

Status	1. Korrektur	11.11.2020	Auftragsnummer	* 323393	Werkzeug	180x690
Stichwort	7/31_Classic_Clic it		Projektmanager	3980	Druckverfahren	Offset
Codierung	EF2428		Verpackungsart	einleger	Vermaßung	x 180 x 690 mm
Materialnr.	1508139		Beratung	Andrea Kohlhas	Strichcode	
Endkunde	Egger			a.kohlhas@guenther-prepress.com		
Marke			Druckerei	Druckzone GmbH & Co.KG		
Farben	Black	Cyan	Magenta	Yellow		

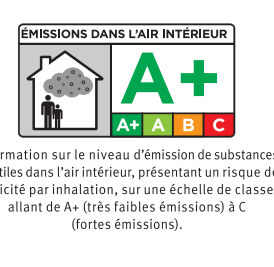
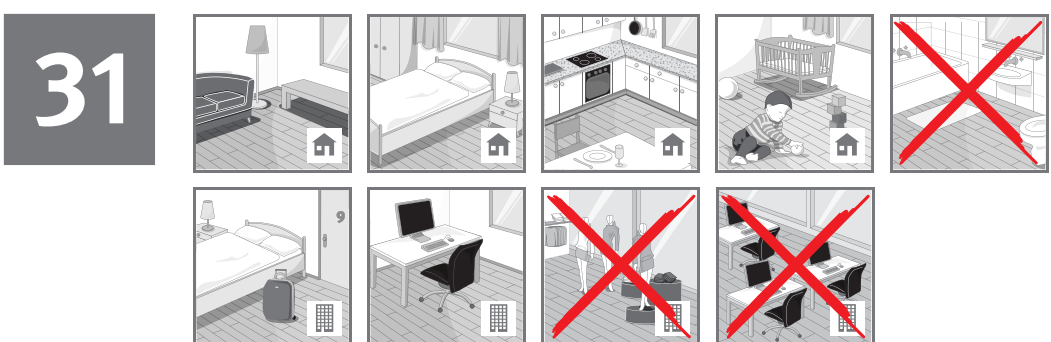
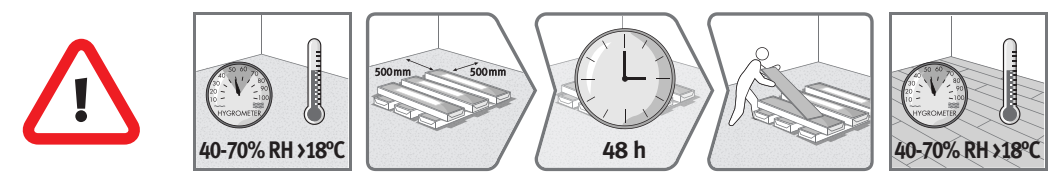
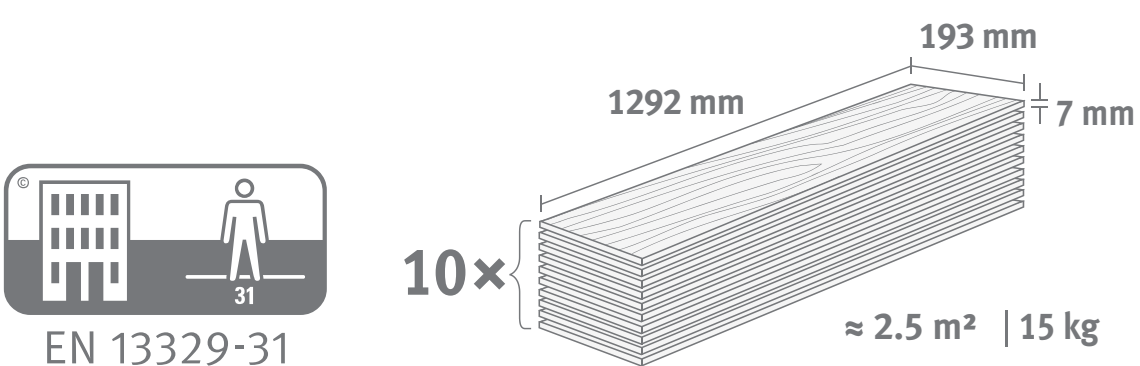
Mit der schriftlichen Freigabe dieser Druckabteilung bestätigen Sie die Richtigkeit der Texte, Abbildungen, Farben und die Druckplatzierung. Für Folgeschäden können wir keine Haftung übernehmen. Please refer to the text to confirm the accuracy of the text, images, colors and position of the layout. We assume no liability for damage of any kind that may occur.

MORE FROM WOOD.



# EGGER HOME Laminate Flooring

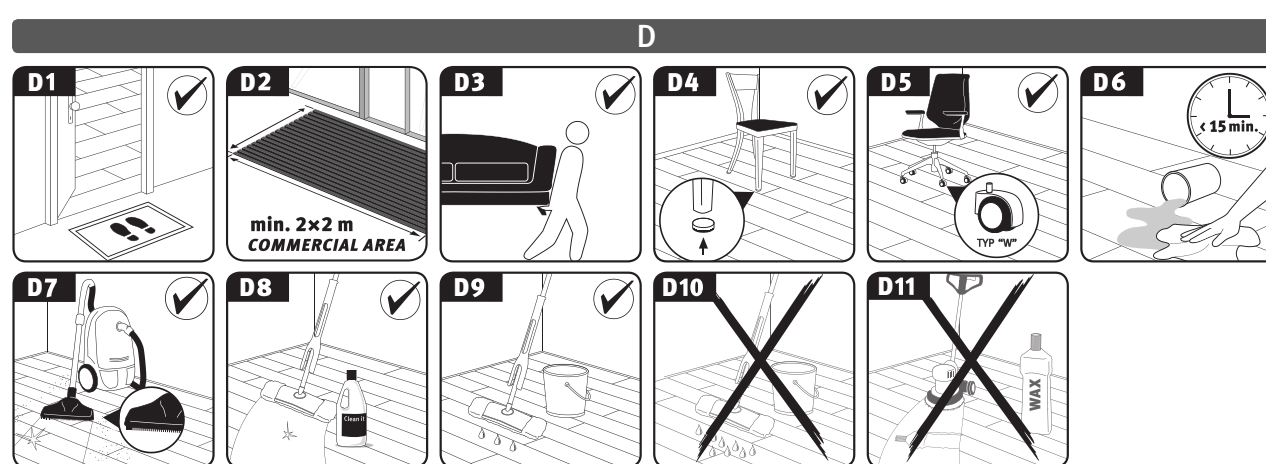
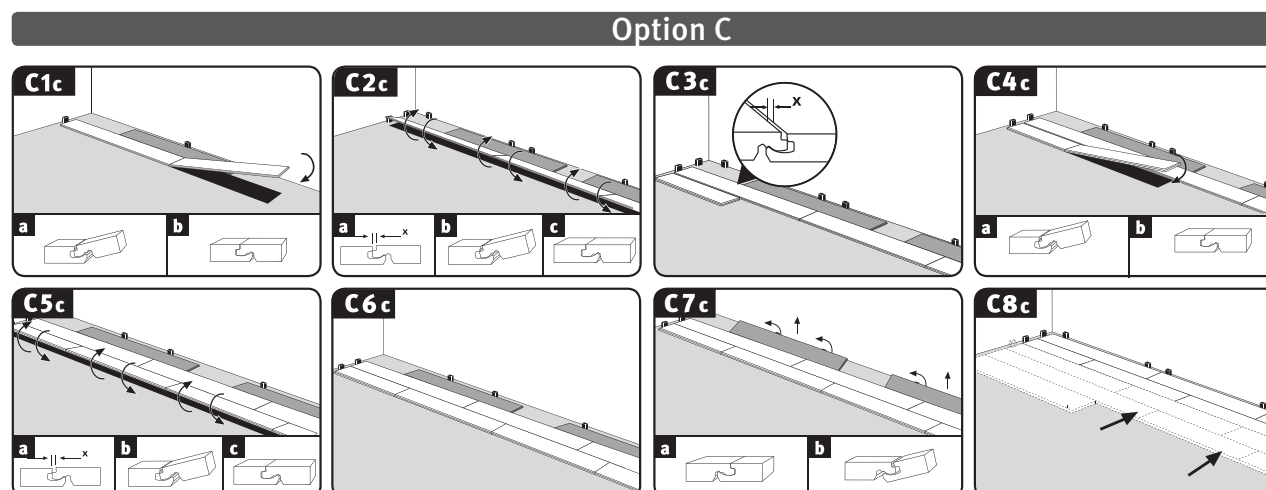
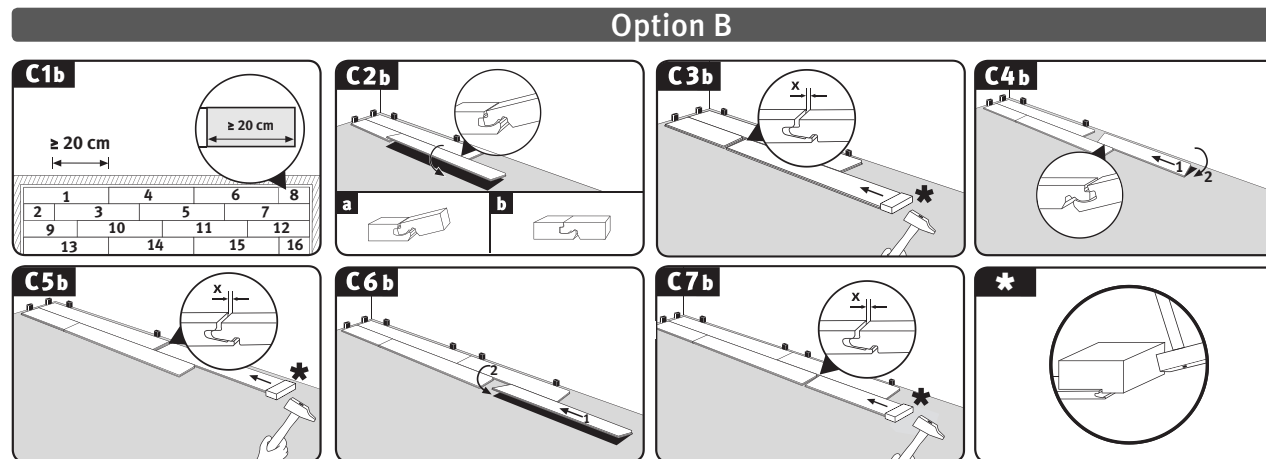
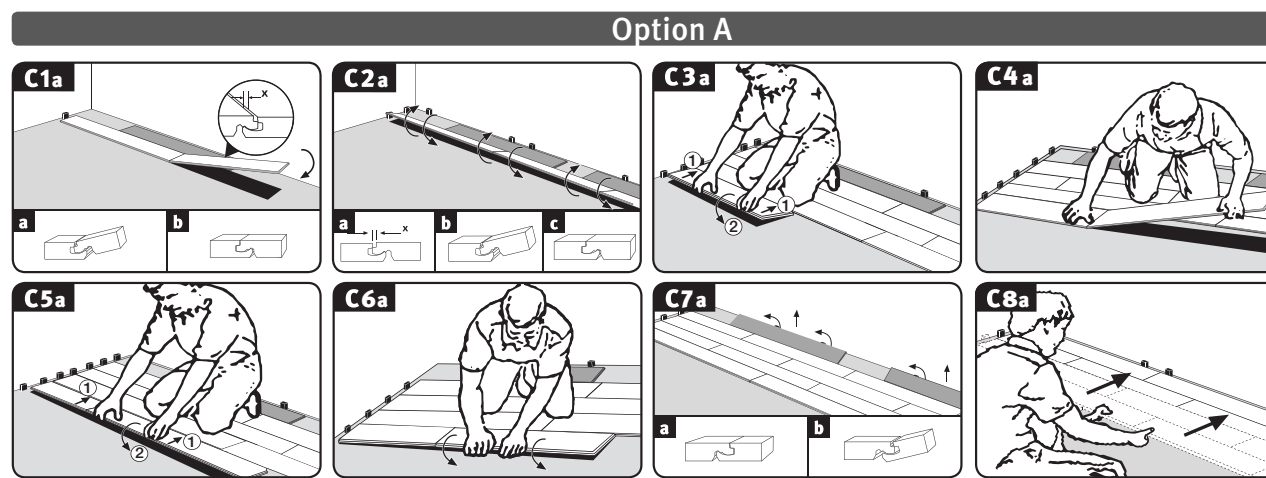
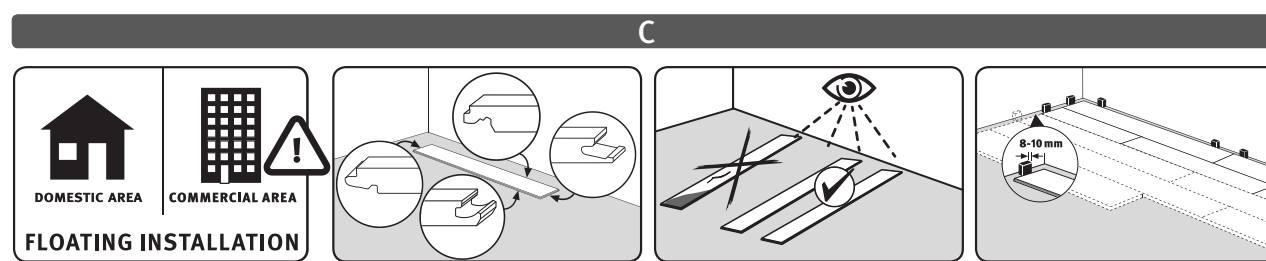
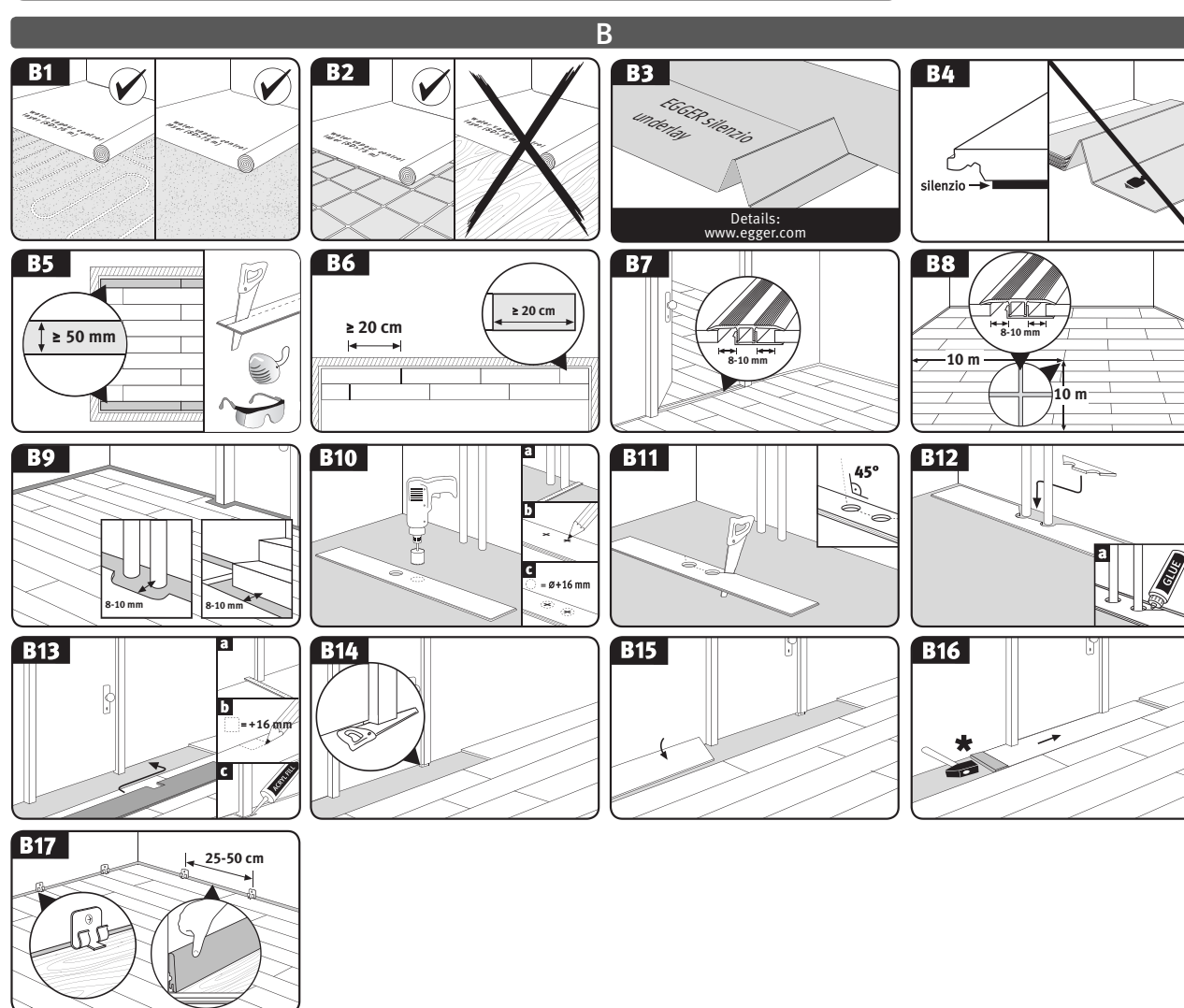
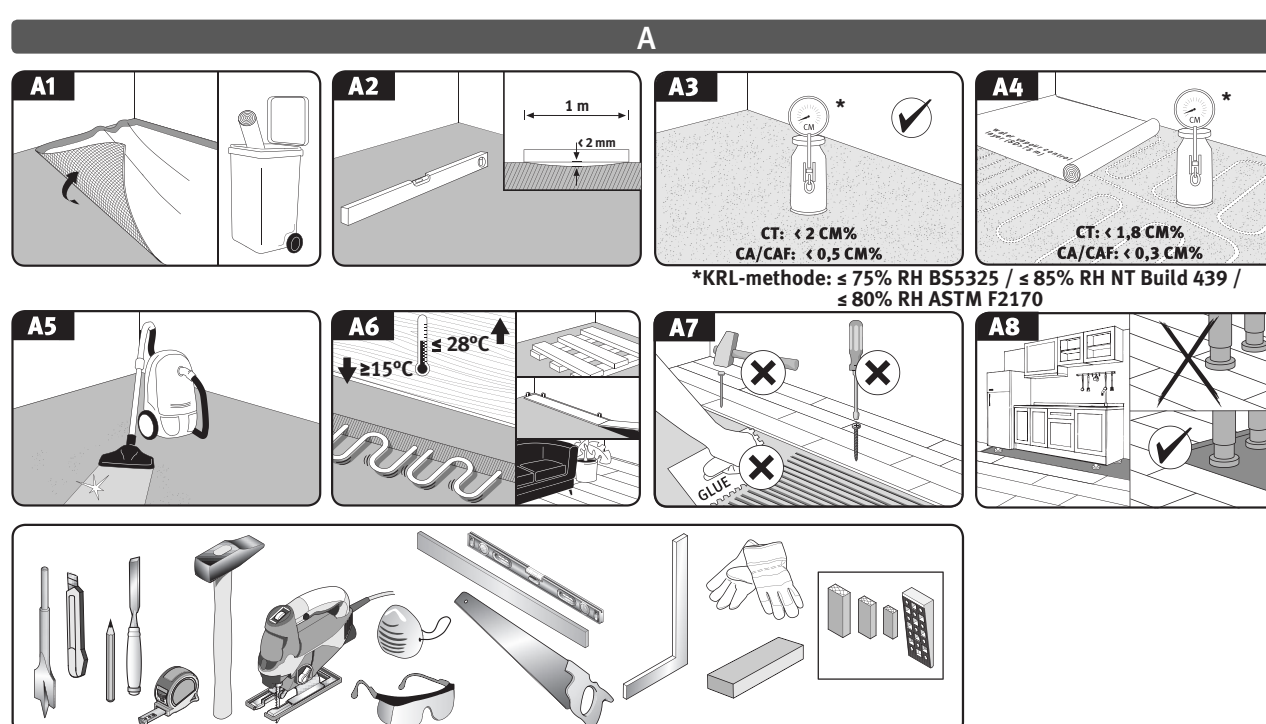
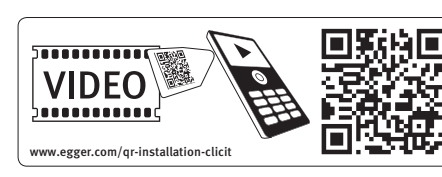
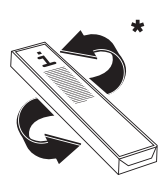
Practical, lasting value, easy to clean.



EF2428 11/2020



EGGER Holzwerkstoffe Wismar GmbH & Co. KG  
Am Haffeld 1  
23970 Wismar  
T +49 3841 301-0, F +49 3841 301-2022  
flooring@egger.com



Notices of provisional status  
These processing instructions have been carefully drawn up to the best of our knowledge. It is intended for information only and does not constitute a guarantee in terms of product properties or its suitability for specific applications. We accept no liability for any mistakes, errors in standards, or printing errors. In addition, technical modifications may result from the continuous development of EGGER Floorings, as well as from changes to standards and public law documents. Subject to technical modifications and printing errors.

### Service-Center

AT: +43 800 888 111 DE: +49 800 344 3745  
CH: +41 41 349 5000 IT: +39 800 78 25 54  
FR/ES/PT: 00 800 4000 8808 UK: +44 1434 600 126  
RO: +40 800 500 111

